



ELECTRIC
Mandoline
SLICER

USER MANUAL

CONTENTS

SAFETY FIRST 4

GETTING TO KNOW YOUR ELECTRIC MANDOLINE SLICER 6

PREPARING TO USE YOUR ELECTRIC MANDOLINE SLICER 8

USING YOUR ELECTRIC MANDOLINE SLICER 9


CLEANING AND STORAGE 15

TROUBLESHOOTING 17

PRODUCT SPECIFICATIONS 18

WARRANTY 19

CONTACT US 21



Congratulations
on purchasing your
professional quality
**Electric
Mandoline Slicer**

The Electric Mandoline Slicer will revolutionise the way you prepare and present food, allowing you to slice, dice, and julienne with ease.

For even greater results and some inspiration, visit our website and Facebook page for delicious recipes and suggestions.

TO ENSURE YOUR SAFETY AND TO GET THE BEST PERFORMANCE FROM YOUR OPTIMUM ELECTRIC MANDOLINE SLICER, PLEASE READ THESE INSTRUCTIONS CAREFULLY.



SAFETY FIRST

WHEN USING ELECTRICAL APPLIANCES, YOU SHOULD ALWAYS BE AWARE OF AND FOLLOW BASIC SAFETY PRECAUTIONS INCLUDING:

This appliance is suitable for normal household use only. It is not intended to be used in environments such as staff kitchens in shops, offices, farms or other work environments. Nor is it intended to be used by clients in hotels, motels, bed and breakfasts and other residential environments.

1. Read and follow all instructions and warnings in this manual carefully.
2. To protect against the risk of injury due to electric shock, do not immerse the motor unit of the slicer in water or any other liquid.
3. Do not use outdoors.
4. This appliance is not intended for use by persons (including children) with reduced physical, sensory or mental capabilities, or lack of experience and knowledge, unless they are supervised or have been given instruction concerning the use of the appliance by a person responsible for their safety.
5. Keep the appliance and its cord out of the reach of children.
6. Do not touch any of the mandoline's moving parts.
7. Do not operate the mandoline if the power cord, plug, or blades are damaged, or if it malfunctions or is damaged in any way. Return the appliance to the nearest authorised service facility for inspection and repair.
8. Switch off and unplug the appliance before changing accessories. Always keep your hands and kitchen utensils away from the blades and moving parts.
9. Never put your fingers or other utensils inside the exit spout while the appliance is working or plugged in.
10. The input voltage of this appliance is between 220-240V, at 50-60Hz. Ensure the power source is compatible with the appliance before connecting it to avoid damage.
11. Place the appliance on a flat, stable and level surface, away from any water or heat sources. Do not turn the appliance over.
12. Do not operate the appliance constantly for over 3 minutes.
13. Never remove the lid or blades before the motor has stopped completely.

14. Always use the tamper to push food down.
15. Do not put hard ingredients (e.g. sugar, ice cubes, coffee beans) in the appliance.
16. Never disconnect the appliance by pulling on the power cord.
17. Switch off and unplug the appliance during long periods of inactivity.

GETTING TO KNOW YOUR ELECTRIC MANDOLINE SLICER

Blades

Thick slicer insert



Thin slicer insert



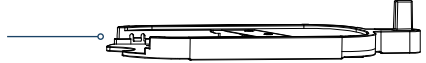
Julienne insert



Fine julienne insert



Julienne slice disk



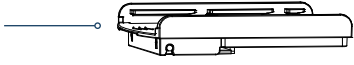
Shredder disk



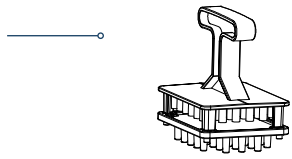
Dicing disk



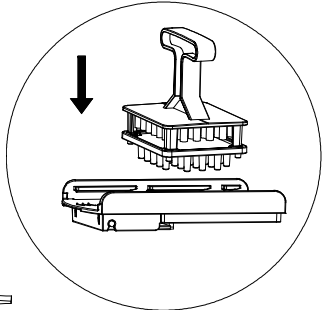
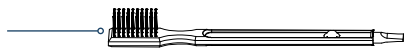
Dicing insert



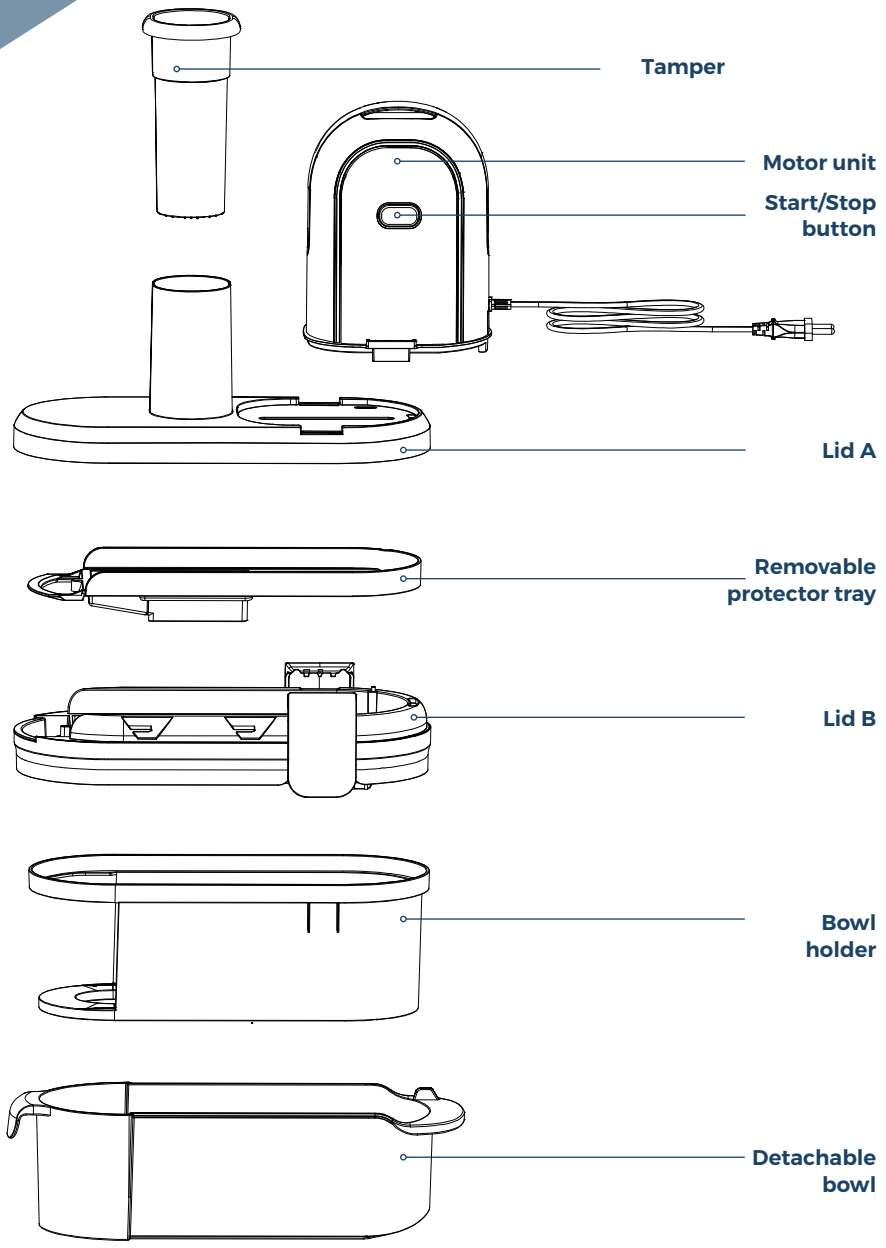
Dicing blade cleaning tool



Cleaning brush



7 ELECTRIC MANDOLINE SLICER



PREPARING TO USE YOUR ELECTRIC MANDOLINE SLICER

BEFORE FIRST USE

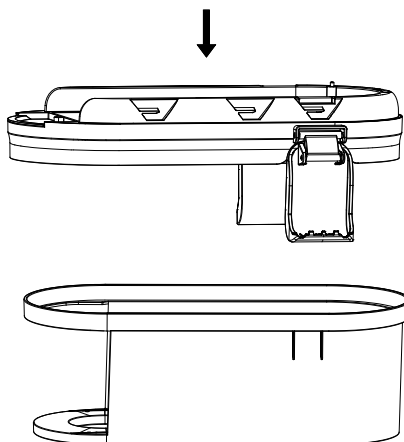
1. Read all instructions and important safeguards.
2. Remove all packaging materials, making sure all items have been received in good condition.
3. Clean the accessories (blades, lid, tamper, and removable protector tray) with soapy water. Rinse and dry them carefully.
4. Do not immerse the motor unit, cord or plug in water at any time.

WARNING: THE BLADES ARE EXTREMELY SHARP, HANDLE THEM WITH CARE AND ALWAYS HOLD BY THE PLASTIC PART.

USING YOUR ELECTRIC MANDOLINE SLICER

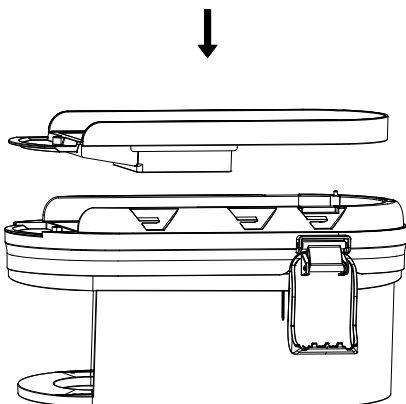
TO ASSEMBLE THE ELECTRICAL MANDOLINE SLICER:

1.



Install lid B
on the bowl.

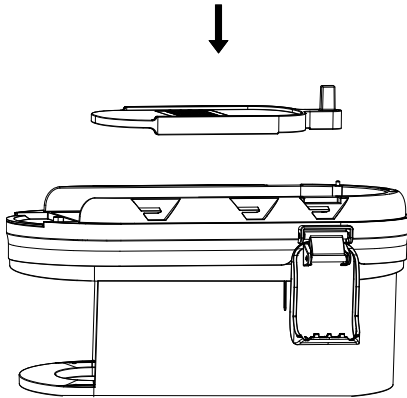
2.



Put the removable
protector tray
on lid B.

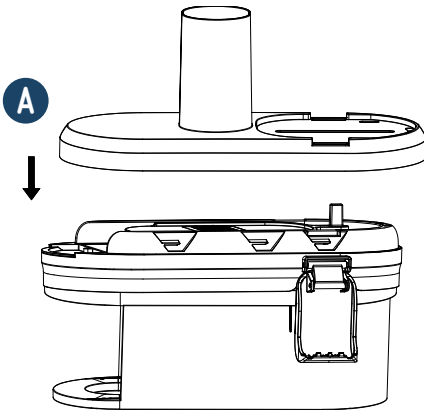
10 ELECTRIC MANDOLINE SLICER

3.

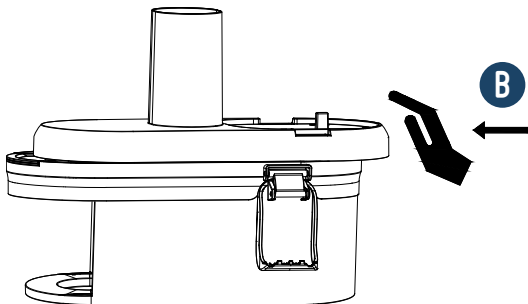


Place the desired disk onto the protector tray, with the post pointing upwards.

4.

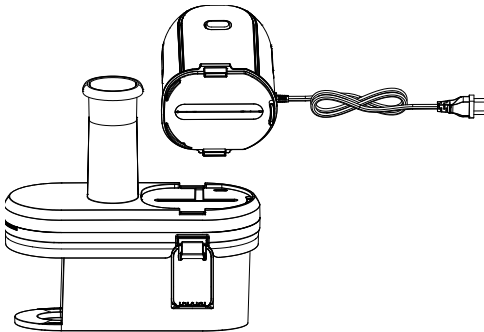
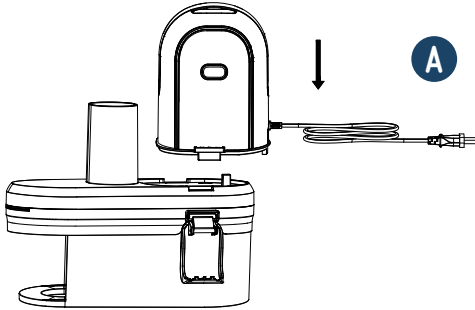


Place the lid A onto the tray making sure the unit sits correctly on the grooves (A). Then, push the lid forward (B) until you hear a "click" indicating it's in the locked position.



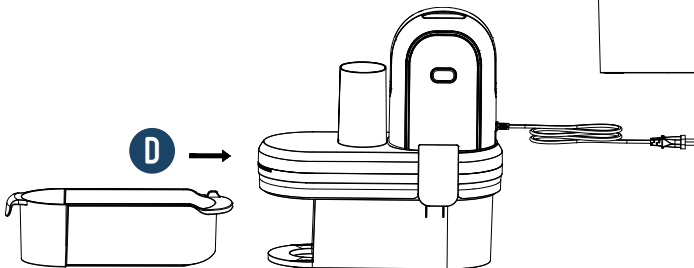
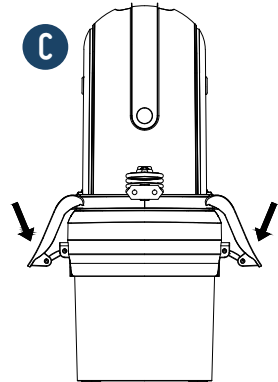
11 ELECTRIC MANDOLINE SLICER

5.



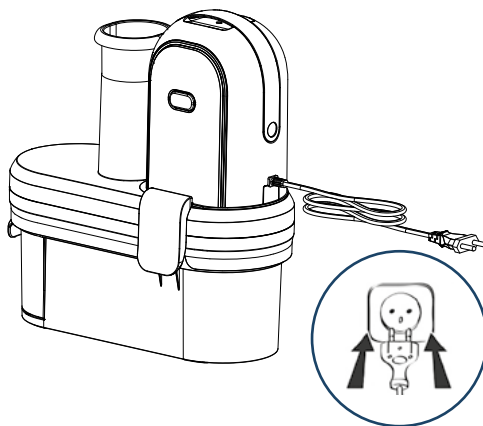
Attach the motor onto lid A (A-B) and then, lock it in place with the two side levers. (C) It is important that the micro-switch is depressed and that the blade post is correctly inserted into the motor blade drive. Then, slide the detachable bowl into the bowl holder (D) until you hear a „click”.

Note: To ensure your safety, the Electric Mandoline Slicer is equipped with a micro-switch.



12 ELECTRIC MANDOLINE SLICER

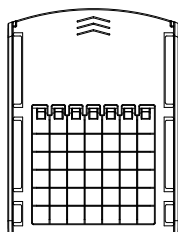
6.



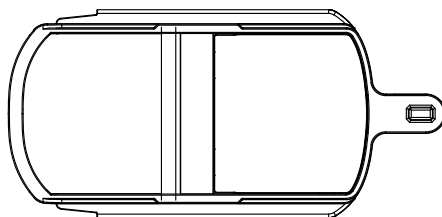
Plug the mandoline in. Insert your ingredients and press the **Start/Stop** button once. When your ingredients are sliced, push the **Start/Stop** button again.

NOTE: ONCE THE GENERAL ASSEMBLY STEPS ARE COMPLETED, FOLLOW THE APPROPRIATE STEPS FOR EACH SLICING OPTION:

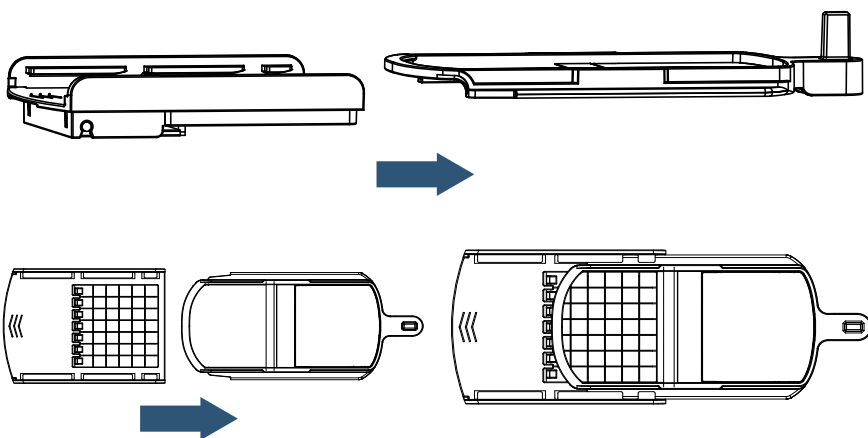
TO DICE : Attach the dicing blade onto the underside of the dicing disk.



DICING BLADE



DICING DISC



Follow instructions from Step 3 of Using Your Electric Mandoline Slicer (page 9).

TO THICK SLICE / THIN SLICE / JULIENNE/ FINE JULIENNE: Install the blade into position on the julienne/slicing disc and then push downwards until it is locked in place.



FINE JULIENNE INSERT



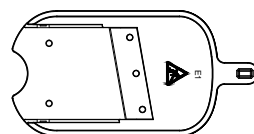
JULIENNE INSERT



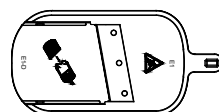
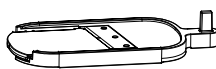
THIN SLICE INSERT



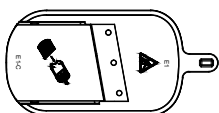
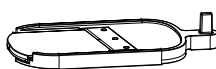
THICK SLICE INSERT



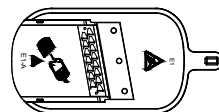
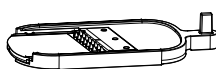
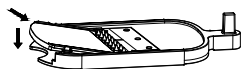
JULIENNE / SLICE DISC



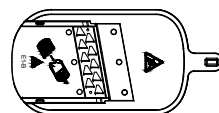
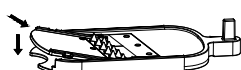
Thick slice



Thin slice



Fine Julienne



Julienne

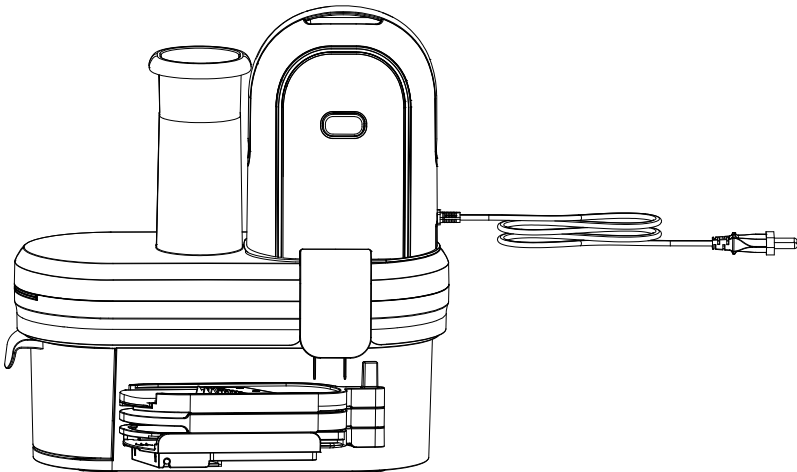
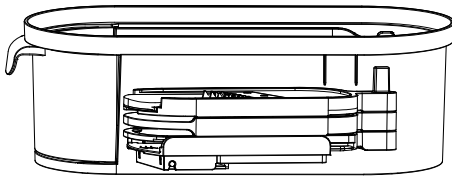
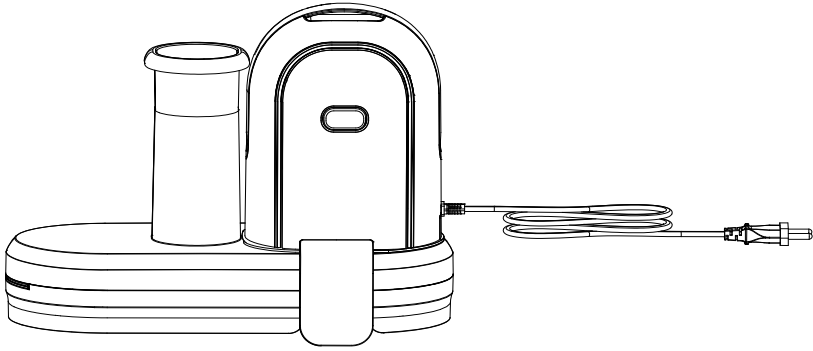
Follow instructions from Step 3 of Using Your Electric Mandoline Slicer (page 9).

CLEANING AND STORAGE

1. Always unplug the appliance before cleaning the motor unit.
2. Disassemble your mandoline slicer.
3. Do not immerse the motor unit in water or any other liquid. Clean the motor unit using a damp cloth. Dry it carefully.
4. The removable tray, the tamper and the blades can be placed in the dishwasher in the top basket and washed using the "ECO" or "LIGHT CLEANING" functions.
5. The lid can be rinsed under water but must not be placed in the dishwasher.
6. Handle the blades with care as they are extremely sharp.
7. If the plastic parts become stained by foods such as carrots, rub the affected areas with a cloth soaked in vegetable oil and then clean as normal.
8. If the dicing blades get jammed, you can use the cleaner brush to push food out of the blades.
9. All eight blades and the cleaning brush can be stored in the bowl.

16 ELECTRIC MANDOLINE SLICER

Pile all the blades and place them in the storage bowl.



TROUBLESHOOTING

Problem	Solution
I cannot close the lid.	Make sure that the disc is correctly attached .
The appliance is not working.	<p>Make sure it is plugged in.</p> <p>Make sure the removable protector tray is attached.</p> <p>Make sure the disc is correctly attached.</p> <p>Press the start/stop button for at least one second.</p> <p>Ensure the motor unit is correctly attached.</p> <p>Verify that the micro-switch is activated.</p>
I cannot unlock the motor unit.	Adjust the blade position to ensure that the disk post is correctly inserted into the pathway of the unit.
The appliance stopped due to a blockage.	Unplug the mandoline. Remove the motor unit, lid and blade. Then, clean the appliance and its accessories before turning it back on.
The food has stopped coming out of the exit spout.	<p>Unplug the mandoline. Remove the motor unit and lid.</p> <p>Take off the removable protector tray, empty it completely, and clean the appliance.</p>

USEFUL TIPS FOR BEST RESULTS

In order to obtain the best results, we recommend that you leave the ingredients in the refrigerator before processing them. Overcooked ingredients will give you poor results, as they may jam the appliance. Before using the mandoline, cut the food so that it is easier to insert it in the feeding tube on the lid.

PRODUCT SPECIFICATIONS

Product	Electric Mandoline Slicer
Watts	150W
Voltage	220-240V
Frequency	50-60Hz



Only for EU countries. Do not dispose of electric appliances together with household waste material! In observance of European Directive 2002/96/EC on waste electrical and electronic equipment and its implantation in accordance with national law, electric appliances that have reached the end of their life must be collected separately and returned to an environmentally compatible recycling facility.

WARRANTY

WARRANTY TERMS & CONDITIONS (INTERNATIONAL)

This warranty as outlined below solely covers distributors of the Optimum range of products. Please contact your distributor for full product warranty.

Effective as of 1st January 2014

1. Optimum® warranties this product against defects in materials and workmanship for a period of 1 year from the original date of purchase when used in accordance with the accompanying instruction manual.
2. Any warranties exceeding this standard period are offered as extended terms by the selling distributor and claimable only through that provider.
3. Defects that occur within this manufacturer's warranty period, under normal use and care will be repaired or replaced at our discretion only if the selling distributor is unable to do so. This is done solely at our option with no charge for parts. This warranty does not extend to accessories included or purchased separately. Replacements can be offered for major faults as determined by your distributor and at their own discretion.
4. In the event that the goods requiring repair are under warranty, and this distributor is unable to provide the repairs; the customer is responsible for any freight charges to or from Optimum® (or their approved service provider).
5. Whilst in transit the goods are at the owner's risk and any further damage during this transportation is not covered under warranty.
6. Customers should ensure that the product being returned is properly packaged so as to ensure that no damage occurs to the product during transit. To be able to process the warranty claim ensure you have included an explanation of any problem. Optimum® will not fault-find and will only repair described faults as covered under warranty.
7. This full warranty is void if this product has been subject to abuse, negligence, accident, alteration, failure to follow operating instructions, or the product has been exposed to abnormal or extreme conditions.

8. Cosmetic changes that do not affect performance, such as discolouration of parts of the product in the hands of the user or the effects of the use of abrasive cleaners will not be warranted or considered defects. The cleaning or removal of food products along with any damage caused by allowing them to build up is not covered by this full warranty.
9. This warranty does not cover normal wear and tear of the product or parts.
10. This warranty does not cover any defect caused by an accident, misuse, abuse, improper installation or operation, lack of reasonable care, unauthorized medication, loss of parts, tampering or attempted repair by a person not authorized by Optimum®.
11. The warranty will not apply if damage, malfunction or failure is the result of alterations, accident, misuse, abuse, fire, liquid spillage, maladjustment of customer controls, use on an incorrect voltage, power surges and dips, thunderstorm activity, acts of God, voltage supply problems, tampering or unauthorized repairs by any persons, use of defective or incompatible accessories, exposure to abnormally corrosive conditions or entry by any insect, vermin or foreign object in the product.
12. You must keep your purchase receipt as proof of purchase and as proof of the date on which the purchase was made. The purchase receipt must be presented when making a claim under this warranty.
13. In the event the receipt of purchase is not presented, then this warranty is invalid. Consumer Law allows us to request reasonable proof of purchase to service a warranty claim.
14. This warranty does not imply, intend to or detract from any consumer rights listed in and able to be enforced from Regulated Consumer Law, any condition which is found to be in breach of the consumer law, the single condition shall be void only and all other conditions remain in place.

CONTACT US

Please contact the distributor located in the country where you made your original purchase for all Support, Servicing and Warranty.

ELECTR⚡C
Mandoline
SLICER